

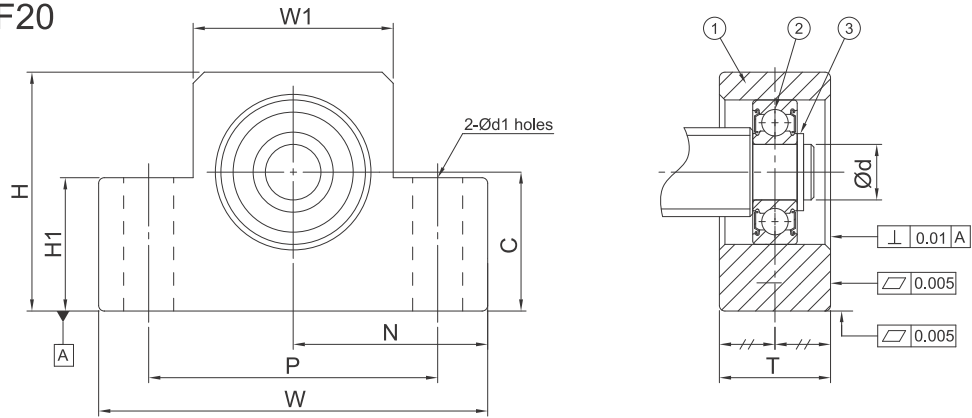
Linear Motion Component ▶ Support Units

Support Side Standard Type | Protruding Design | GEF

GEF-B



GEF06 ~ GEF20



Standard Type	Dimensions							
	Ød	T	$W_{0.04}^0$	W1	H	H1	P	Ød1
GEF06	6	12	42	20	25	12	30	5.2
GEF08	6	14	52	27	32	16	38	6.3
GEF10	8	20	70	36	43	24	52	9
GEF12	10	20	70	36	43	24	52	9
GEF15	15	20	80	41	49	25	60	9
GEF20	20	26	95	56	58	25	75	11

Ordering Example	GEF	10	S	N	J
	Model No.	Shaft Dia.	Grade	Surface finish	Bearing category

Linear Motion Component ▶ Support Units

Support Side Standard Type | Protruding Design | GEF

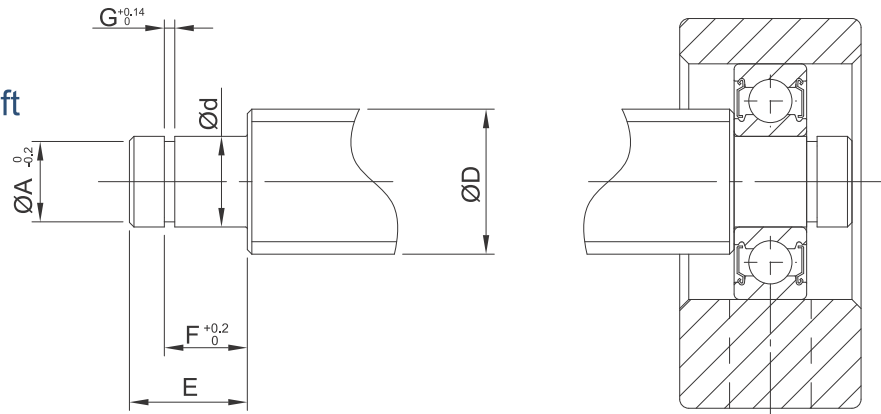


Components

No.	Parts	Material	Q'ty
①	Main housing	S50C	1
②	Bearing	SUJ2	1
③	Snap ring	SWB	1

- Bearing filled with proper lithium soap lubricant maintenance free.
- Bearing with two steel covers in black dyed.
- Bearing with two touch-type plastic covers in Ni-plating.

Recommended Processing Dimensions of Shaft



Unit : mm

		Recommended Processing Dimensions of Shaft						Snap Ring
		Ball Screw Shaft O. D.	Shaft End Diameter	Groove Sizes Machined for Snap Ring				
N ± 0.02	C $\frac{0}{-0.04}$			ØD	Ød	ØA	E	
21	13	8	6 $\frac{-0.005}{-0.012}$	5.7	9	6.8	0.8	S 06
26	17	10	6 $\frac{-0.005}{-0.012}$	5.7	9	6.8	0.8	S 06
35	25	12 / 14 / 15	8 $\frac{-0.005}{-0.012}$	7.6	10	7.9	0.9	S 08
35	25	14 / 15 / 16	10 $\frac{-0.005}{-0.012}$	9.6	11	9.15	1.15	S 10
40	30	18 / 20	15 $\frac{-0.005}{-0.014}$	14.3	13	10.15	1.15	S 15
47.5	30	25 / 28 / 30	20 $\frac{-0.005}{-0.014}$	19	19	15.35	1.35	S 20

• Fixed Side spec please refer to P.0035~P.0036 and P.0043~P.0044